



TAI-SAW TECHNOLOGY CO., LTD.

No. 3, Industrial 2nd Rd., Ping-Chen Industrial District,
Taoyuan, 324, Taiwan, R.O.C.

TEL: 886-3-4690038 FAX: 886-3-4697532

E-mail: tstsales@mail.taisaw.com Web: www.taisaw.com

Approval Sheet For Product Specification

Issued Date:

Product Name: SAW Resonator 915 MHz SMD 3.8X3.8 mm

TST Parts No.: TC0278A

Customer Parts No.: _____

Company: _____
Division: _____
Approved by : _____
Date: _____

Checked by: _____ Asin Lin

Approval by: _____ Francis Chen

Date: _____ 2005/4/06



TAI-SAW TECHNOLOGY CO., LTD.

No. 3, Industrial 2nd Rd., Ping-Chen Industrial District,
Taoyuan, 324, Taiwan, R.O.C.

TEL: 886-3-4690038 FAX: 886-3-4697532

E-mail: tstsales@mail.taisaw.com Web: www.taisaw.com

SAW Resonator 915 MHz

MODEL NO.: TC0278A

REV. NO.:1

A. FEATURES:

- 1-Port Resonator.

B. MAXIMUM RATING:

1. Input Power Level: 0 dBm
2. DC voltage: 3 V
3. Operating Temperature: -40°C to +85°C
4. Storage Temperature: -40°C to +85°C

C. ELECTRICAL CHARACTERISTICS:

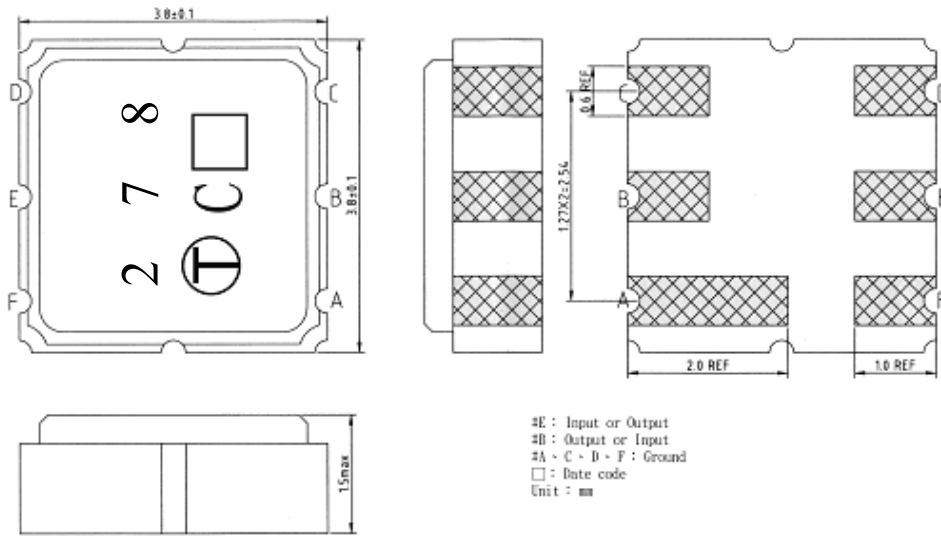
Reference Temperature $T_A=25^\circ\text{C}$

Characteristic	Units	Minimum	Typical	Maximum
Center frequency F_c	MHz	914.9	915	915.1
Insertion Loss IL	dB	-	1.1	2.0
Unload quality factor Q_u		5000	6200	-
Ageing of fc	ppm/yr	-	-	±10
Motional capacitance C1	fF	-	1.39	-
Motional inductance L1	μH	-	21.8	-
Motional resistance R1	Ohm	-	20.3	-
Parallel capacitance C_o	pF	-	2.6	-
Frequency Temperature coefficient (TC _f)	ppm/c*2	-	0.032	-
Turnover T _o	deg.C	10	25	40
Package size	SMD 3.8X3.8X1.4mm			

Temperature dependence of fc: $f_c(T_A)=f_c(T_O)(1+TC_f(T_A-T_O)^2)$

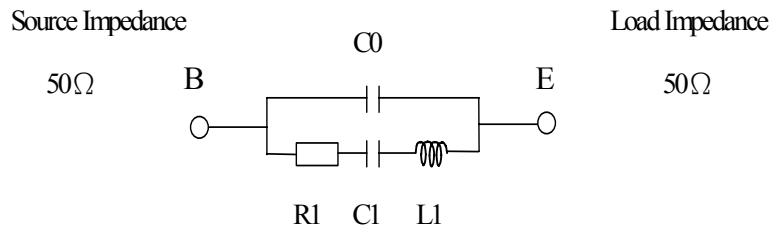
RoHS Compliant
Lead free
Lead-free soldering

D. OUTLINE DRAWING:

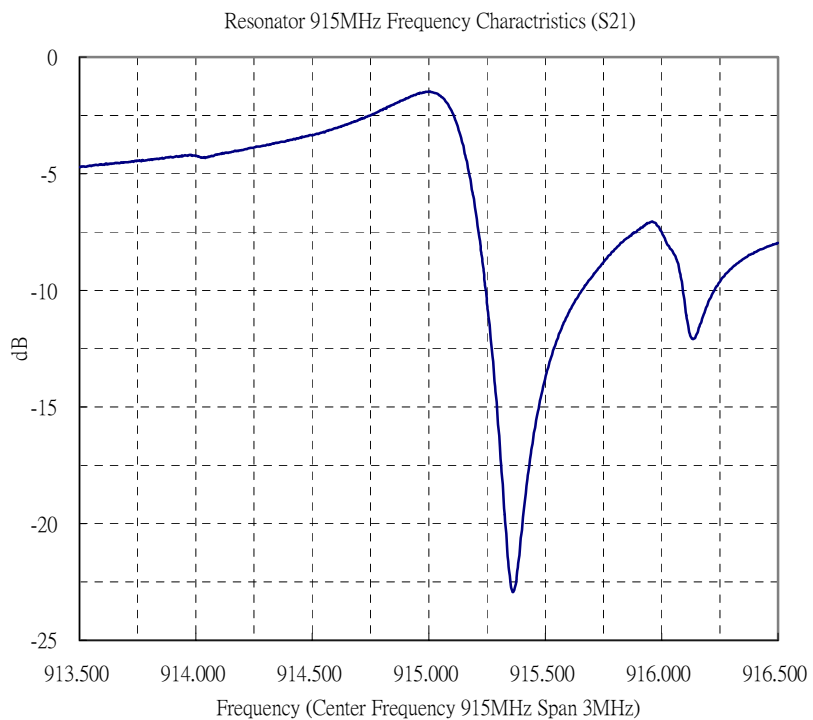


E. EQUIVALENT CIRCUIT:

One-Port Resonator:

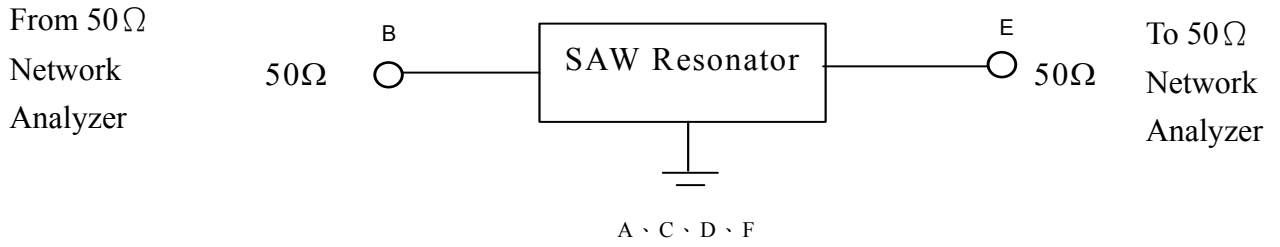


F. FREQUENCY CHARACTERISTICS:

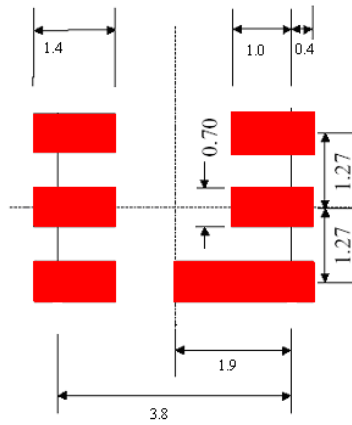


G. TEST CIRCUIT:

Network analyzer

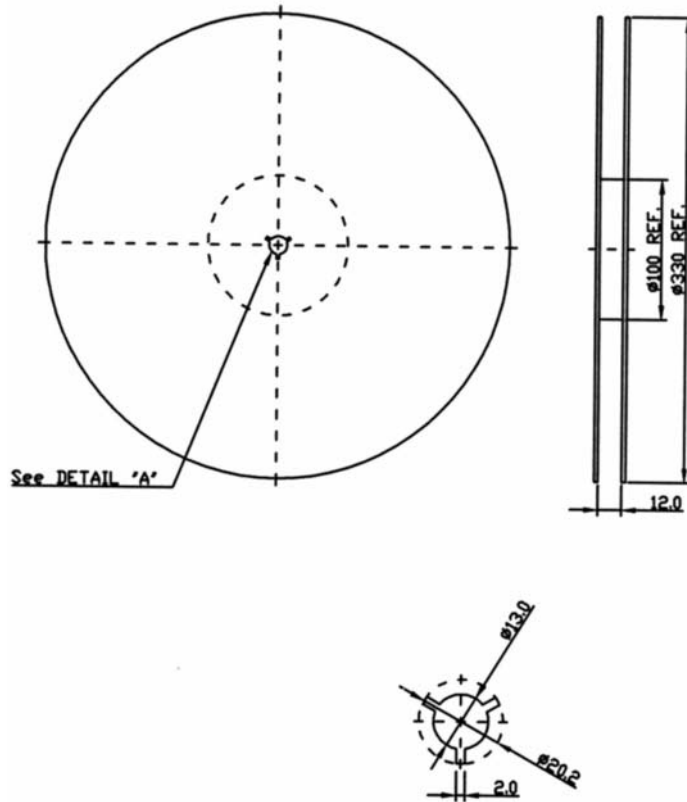


H. PCB FOOTPRINT



I. PACKING:

1. REEL DIMENSION



2. TAPE DIMENSION

